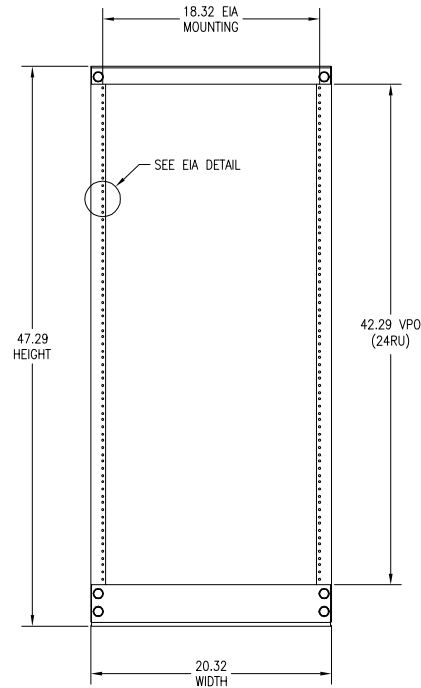
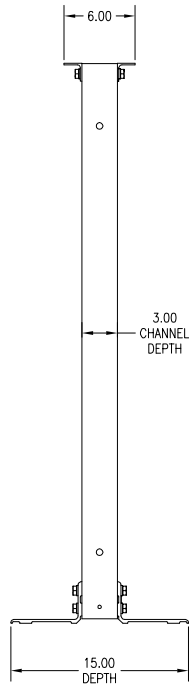
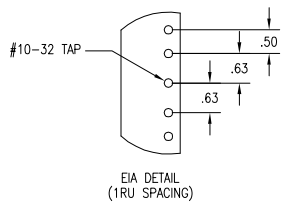
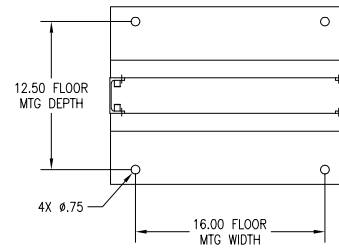
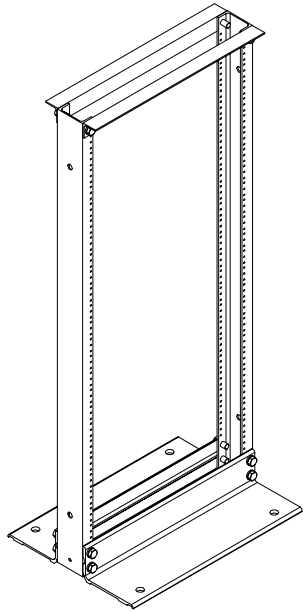


NOTES
 1. MATERIAL: 6105-T6 ALUMINUM



MAY CHANGE WITHOUT NOTICE		DRAWN: RTC		DATE: 11-30-06		MAYVILLE PRODUCTS CORPORATION
SCALE:	THIRD ANGLE PROJECTION					
<small>THIS DRAWING AND ALL INFORMATION CONTAINED HEREIN IS THE PROPERTY OF MAYVILLE PRODUCTS CORPORATION. NO PART OF THIS DRAWING OR INFORMATION CONTAINED HEREIN IS TO BE REPRODUCED OR TRANSMITTED IN ANY FORM OR BY ANY MEANS, ELECTRONIC OR MECHANICAL, INCLUDING PHOTOCOPYING, RECORDING, OR BY ANY INFORMATION STORAGE AND RETRIEVAL SYSTEM, WITHOUT THE WRITTEN PERMISSION OF MAYVILLE PRODUCTS CORPORATION.</small>					DESC: MODULAR NETWORK FRAME 19" RACKMOUNT, 24 RU	
<small>DATE: 11-30-06</small>						DRAW NO: MNF1942D