



Condor 4000x

High Performance XMC graphics with GPGPU capability

Features

- XMC form factor
- 2 GB frame buffer
- 640 Shader Processors
- OpenGL 4.2, DirectX 11.1, Shader 5.0
- OpenCL 1.2, DirectCompute 11 (GPGPU computing)
- Front or Rear PMC Outputs Available (DVI, LVDS, VGA, DisplayPort)
- Up to 1920 x 1200 resolution with Single-Link configuration and 2560 x 1600 with Dual-Link
- Long term product availability
- Comprehensive customer care
- Ideal for rugged applications

Markets

- Military
- Avionics
- Industrial
- Embedded Systems

Platforms

- Windows/Linux based Single Board Computers
- VME, cPCI, VPX
- Other Platforms as required

The Condor 4000x is a leading edge XMC form factor graphics/video card for use in applications that require very high-end graphics and computation. Based on AMD's Radeon E8860 GPU, the Condor 4000x offers ground breaking performance with 1.6x the performance of the E6760 GPU.

The Condor 4000x is available in Air Cooled and has Digital (DVI, DisplayPort) and Analog (VGA) video outputs available from the front panel (face plate) of the card. The rear PMC connector offers Digital (DVI, LVDS, DisplayPort) and Analog (VGA) video outputs. The board must be factory configured for front or rear VGA. Dual Link DVI is available as a factory configured option. The rear PMC pin-out is compatible with VME and cPCI single board computers while VPX can be supported through a carrier board.

The Condor 4000x graphics processor is ideal for general purpose graphics processing unit (GPGPU) applications such as radar and video surveillance/analysis. At the maximum power consumption, the card provides 768/48 GFLOPs single/double precision performance.

Supported by the industry standard OpenCL™ programming language, GPGPU application software development is accelerated with the AMD APP Software Development Kit (SDK). The SDK includes developer tools such as compiler, debugger, code profiler and math libraries.

The product comes with Tech Source's commitment of availability for up to 9 years from the date of release. This comes with the legendary support of our seasoned team members, who may offer immediate assistance to troubleshoot and resolve any technical challenges.

While Windows or Linux drivers are available by default, other real time operating systems (RTOS) such as VxWorks, Integrity and LynxOS may be supported as per customer requirements.

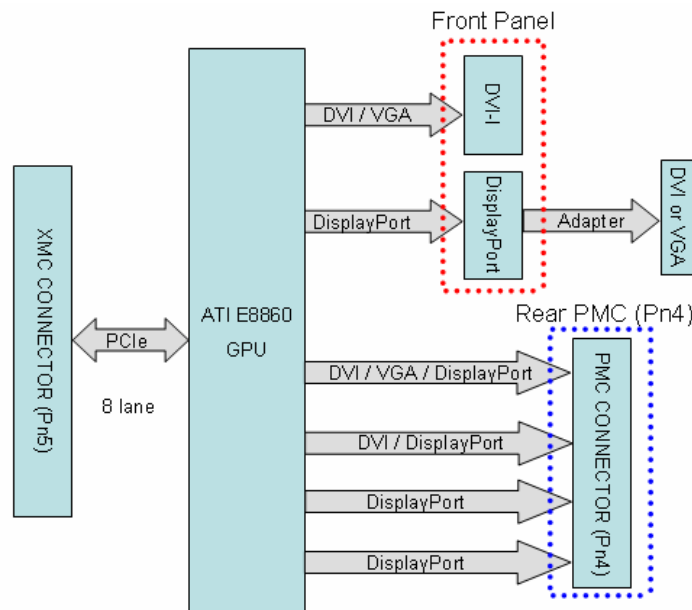
Tech Source has provided graphics solutions for over 25 years and has always met customer needs with long term commitment and support.

Tech Source
An EIZO Group Company

Condor 4000x Specifications

Graphics Processor	AMD Radeon E8860 GPU supporting OpenGL 4.2, DirectX 11.1 and Shader 5.0
Interface	XMC form factor, 8 Lane
Graphics Memory	2GB GDDR5 memory
Video Outputs	[Front] : Digital (DVI, DisplayPort) and Analog (VGA) [Rear PMC] : Digital (DVI, LVDS, DisplayPort) and Analog (VGA) video outputs
Maximum Video Resolution	1920 x 1200 for Single-Link DVI / VGA Configuration and 2560 x 1600 for Dual-Link DVI
GPGPU Capabilities	OpenCL 1.2, DirectCompute 11 640 Shaders 768/48 GFLOPs single/double precision peak (600e/4.5Gbps)
Power Rating	43 Watts (Can be configured to be as low as 17W)
Operating Temperature (MIL-STD-810)	0°C to 55°C (Standard)
	-40°C to 70°C (Rugged Air Cooled)
Humidity	95% without condensation
Vibration (MIL-STD-810)	0.1 g ² /Hz
Shock (MIL-STD-810)	40g
Software/Platform Support	Windows or Linux
	RTOS (As needed)
	x86, PowerPC

Condor 4000x Block Diagram



Notes: Only two DVI or VGA outputs can be active at a time. The rest of the outputs must be DisplayPort. VGA can only be routed to the front or the rear but not both at the same time. DisplayPort outputs can be converted to DVI or VGA with the use of an off the shelf adapter. 2 outputs on the front panel can be active while 4 outputs are active on the rear.

Tech Source

An EIZO Group Company

442 Northlake Blvd,
Altamonte Springs, FL 32701, USA
407.262.7100

www.techsource.com



Tech Source, the Tech Source logo and Condor 4000x are trademarks of Tech Source, Inc. Eizo name and logo are registered trademarks of Eizo Nanao Corporation. All other trademarks are the property of their respective owners. ©2013 Tech Source, Inc. All rights reserved. Information in this document is subject to change without notice. Tech Source, Inc. assumes no responsibility for errors or omissions that may appear in this document.