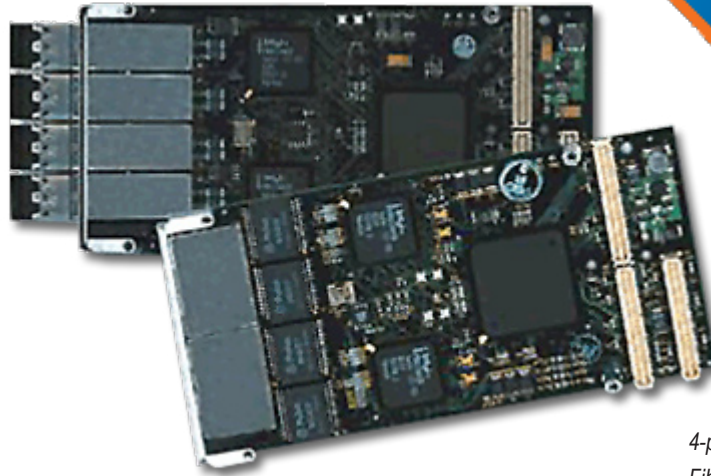


The 8711 four-port Gigabit Ethernet modules deliver cost-effective solutions for expanding networking capabilities on VME, VXS, CompactPCI, and any other carrier platforms with a PMC site. Offered in copper and fiber versions, these high-performance adapters are designed for embedded applications requiring 10/100/1000 Gigabit Ethernet connectivity.



4-port Copper & Fiber PMCs

Description

The 8711 modules provide full Gigabit Ethernet LAN connectivity by terminating four Gigabit Ethernet circuits at the adapter card itself. Operating at 1 Gbps, Gigabit Ethernet lines are the most effective and widely used means for providing high-speed local area network solutions. The 8711-GC adapter supports for four IEEE 802.3ab compliant connections over 1000baseT Category 5 copper wire through industry standard RJ45 connectors.

The 8711-GF supports four IEEE 802.3z compliant connections over 1000baseSX/LX over 850 or 1310 nm single or multi-mode fiber through industry standard Small Form Factor (SFF) LC, VF-45, or MT-RJ connectors.

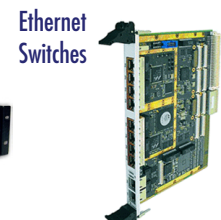
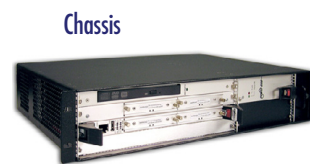
The standard long reach drive is 10 kilometers. For extended reach options, please contact the factory.

The 8711-Gx series can auto-sense speed, simplex, duplex, and flow control, and detects polarity (no need for cross over cables) and cable lengths. Both 8711 modules cache up to 64 packet descriptors in a single burst, and their state-of-the-art DSPs implement digital adaptive equalization as well as echo, cross-talk and baseline wander cancellation allowing 1000 Mbps performance in noisy environments.

The 8711-GC and 8711-GF are ideal candidates for use in today's converged, variable packet size, multi-protocol networks that require maximum port density, including performance intensive applications such as streaming media, network attached storage, routers/switches, VoIP and media gateways, storage area networks, digital imaging, data acquisition processors, and enterprise servers.

Features:

- Four auto-negotiating 10/100/1000 Ethernet ports
- Dual Intel 82546 MAC/PHYs
- PCI 2.2 33/66 MHz and 32/64-bit bus interface
- Link and activity LEDs
- Drivers for Linux, Solaris, and Windows
- 8711-GC (copper version)
 - Four RJ-45 copper connections
 - Auto sensing speed, simplex/duplex, flow control, and detection of polarity and cable lengths
- 8711-GF (fiber version)
 - Four fiber optic LC, VF-45 or MT-RJ connections
 - Supports long reach and short reach wavelength transceivers
- Full compliance to IEEE 802.3z



Embedded Computing Products & Solutions

Specifications

Form Factor

Single wide PMC, per IEEE 1386.1

Ethernet Controller

Dual Intel 82546EB

IEEE 802.3

IEEE 802.3ab

IEEE 802.1QVLAN

PCibus Characteristics

Signaling 3.3V

Specification 2.2

Speed 33/66MHZ

Width 32-bit

Power Requirements

> 7.5W @ 3.3 V

Environmental Specifications

Temperature

Operating -5 to 60°C

Storage -40 to 70°C

Humidity

Operating: 5 to 90% non-condensing

Storage: 0 to 95% non-condensing

Certifications

FCC: Part 15 Class A (pending)

UL 1950, Listed Accessory (pending)

CS003 (pending)

CS03 (pending)

Drivers

Linux

Windows*

Solaris*

* Available upon request

Ordering Information

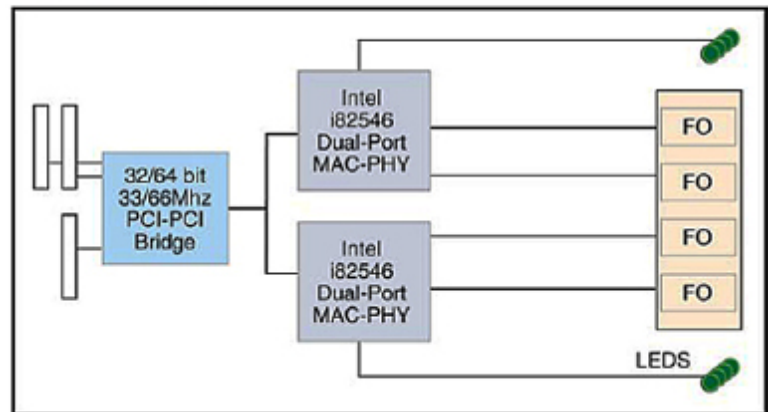
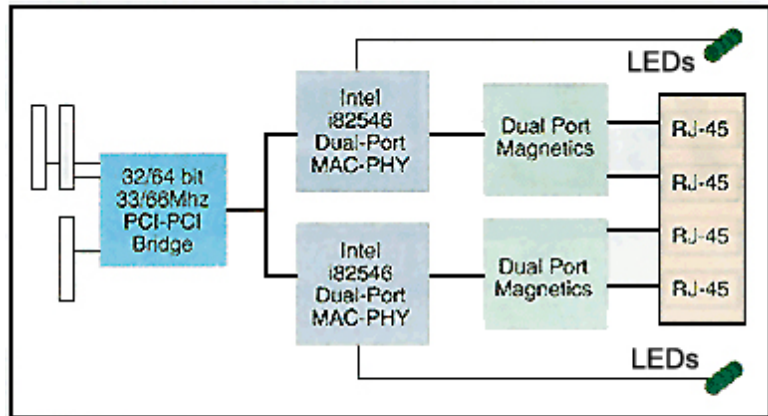
Quad-port Gigabit Ethernet PMC:

8711-GC Quad port Gigabit Ethernet Copper

8711-GF-LH Quad port Gigabit Ethernet Fiber, long reach

8711-GF-SH Quad port Gigabit Ethernet Fiber, short reach

Block Diagrams of Copper & Fiber 8711 4-Port PMC



ACT/Technico logo and brand of products are registered trademarks of Elma Electronic Inc.

Elma Electronic | 215.956.1200 | sales@elmasystems.com | www.elmasystems.com

ELMA
Your Solution Partner