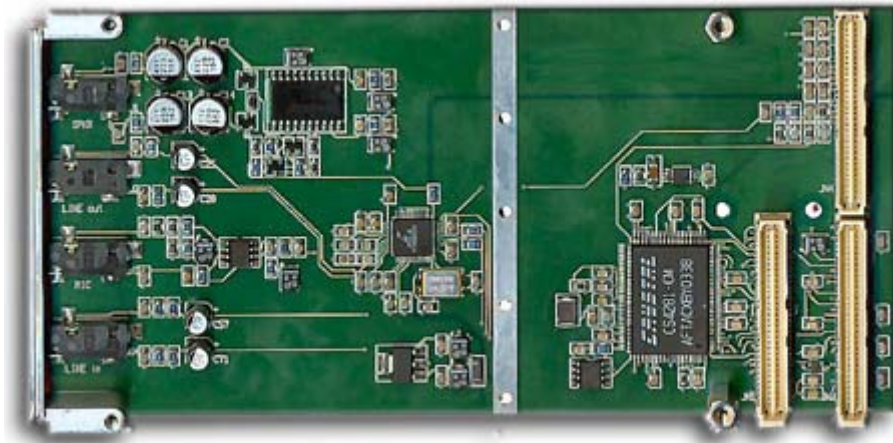


8043 - Audio PMC Card with Front & Rear I/O



The 8043 is a PMC audio card with front and rear I/O. The audio card is based on the Crystal CS4281 CrystalClear™ PCI Audio Interface controller and the Crystal CS4297A CrystalClear™ SoundFusion™ Audio Codec '97.

The 8043 features four audio connections via the front panel using 3.5mm stereo connectors. Optional the audio connections can be made via the rear I/O of the 8043 using the 9043 PIM (PMC Interface Module, with four 3.5mm stereo connectors). The 9043 is typically mounted on a rear transition module (RTM).

The audio interface consists of a line input, a microphone input, a line output and a speaker output with an on-board stereo amplifier.

Features:

- Single PMC slot (IEEE 1386.1-2001) with front I/O and rear I/O
- Optional PIM (P/N 9043) for rear I/O connections
- Crystal CS4281 CrystalClear™ PCI Audio Interface controller
- Crystal CS4297A CrystalClear™ SoundFusion™ Audio Codec '97
- PCI interface:
 - PCI 2.1 compliant
 - 33MHz, 32-bit interface
 - 3.3V and 5.0V signalling supported
 - 5V and 12V supply
- Four audio connections via front or optional PIM faceplate:
 - Line In (stereo)
 - Line Out (stereo)
 - Microphone In (mono)
 - Speaker Out (stereo)
- On-board amplifier

Technical Data

PCI Bus Characteristics

PCI 2.1 compliant
PMC: IEEE 1386.1-2001 compliant
33MHz, 32-bit interface
3.3V or 5.0V PCI signalling
5V and 12V supply voltage
PIM: VITA 36 compliant

Controller

Crystal CS4281 CrystalClear™ PCI Audio Interface controller
Crystal CS4297A CrystalClear™ SoundFusion™ Audio Codec '97

I/O Connectors:

The four audio I/O connections on the PIM are 3.5mm stereo connectors. The PIM is to be mounted on a rear transition module (RTM).

Microphone:

The microphone jack (standard 3.5mm) is designed for electret (condenser) microphones that need phantom power on the jack's ring terminal. The jack's ring terminal provides filtered 2.5V for powering the microphone. Input voltage range with the 20dB boost off is 125m Vrms; with the 20dB mic boost enabled, the range is 12.5.Vrms

Input is off the plug tip. Input voltage range with the 20dB boost off is 125m Vrms, with the 20dB MIC boost enabled the range is 12.5mVrms.

Audio Interfaces

Line In:

Stereo Line Input, standard 3.5mm jack. Dynamic range for line in is 2Vrms

Line Out:

Stereo Line Output, standard 3.5mm jack. Output is 1Vrms into 10K load

Speaker Out:

Stereo Speaker Output, standard 3.5mm jack. Output of up to 1.5W per channel into a 4 or 8 Ohm load can be achieved, but should be kept at less than this over long periods, unless the system has above average cooling. Many CPU cards do not allow a great deal of airflow between the PMC card and the CPU.

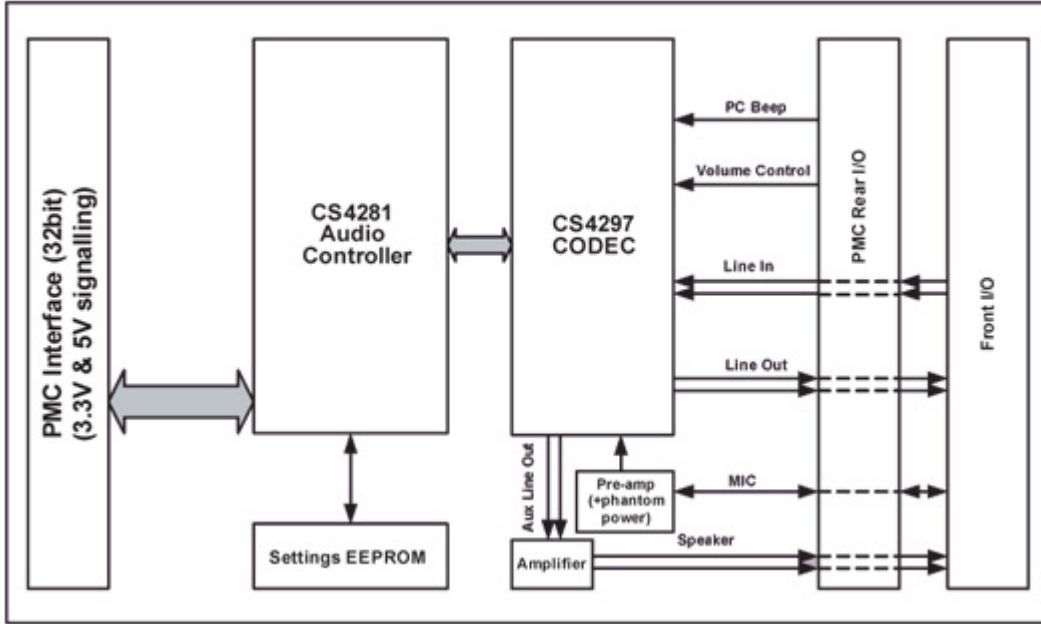
Temperature

Operating 0 to +60° C

Humidity

10-90%, non-condensing

Block Diagram



Ordering Information

- 8043** Audio PMC – Front I/O or Rear I/O (via PIM)
9043: PMC I/O Module(PIM) with four 3.5mm audio jacks for rear I/O

ACT/Technico, a division of Advanced Control Technology, Inc.
760 Veterans Circle Warminster, PA 18974 - Tel (215) 956-1200 - Fax (215) 956-1201
www.acttechnico.com

Form # 8043 - Rev. 12/05