

8005 - PMC 2 - Port RS232/422/485 Asynchronous Communication Adapter



The 2-port Asynchronous Communications Adapter is a cost effective solution for providing additional RS232/RS422/ RS485 based serial ports for a host processor.

- Each front panel port is independently set-up at either RS232 or RS422
- In RS232 mode, a port provides the full set of data and modem control lines — RTS, CTS, TXD, RXD, DCD, DTR, DSR, and RI.
- In RS422 mode, a port provides TXD, RXD, CTS, and RTS, each operating at RS422 differential levels with uni-directional drive.
- The RS485 mode supports both 2-wire and 4-wire RS485 connections. In 2-wire mode, a single differential RS422 driven pair carries transmit or receive data in a half-duplex fashion.
- For 4-wire mode, the TXD is also driven on an additional RS422 uni-directional output. Control of transmit/receive direction is accomplished via the RTS control signal from the 16750 UART, as is customarily done for RS485 applications.
- Options to terminate the differential RS422/RS485 signals with 150 ohm parallel termination are provided by the design.

ACT/Technico, a division of Advanced Control Technology, Inc.
760 Veterans Circle Warminster, PA 18974 - Tel (215) 956-1200 - Fax (215) 956-1201
www.acttechnico.com

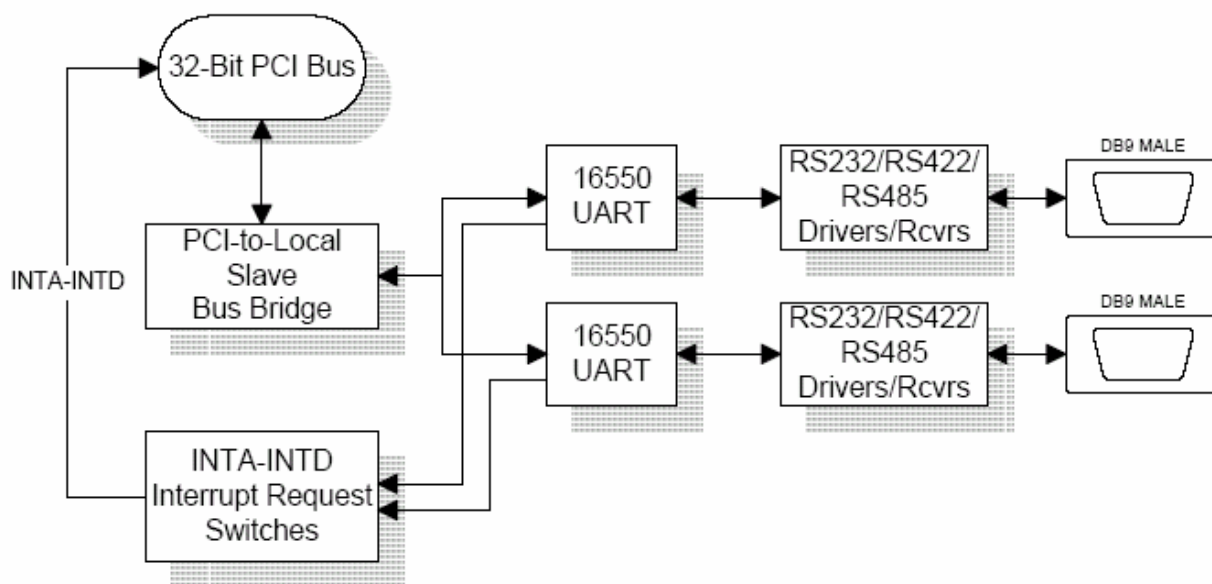
Form # 8005 - Rev. 12/05

The two ports use standard 9-pin male D-Subminiature connectors. For RS232 mode, the pin-out is the same as the Personal Computer 9-pin COM port. Use of standard DB9 connectors avoids the need for special external adapter cables, so any readily available 9-pin COM cable can be used.

Switches on the board direct the interrupts from each port to the desired INTA/INTB/INTC/INTD request on the PCI bus. Any combination of connection to the INTx lines is possible, thereby supporting shared and non-shared interrupt requests.

Industry standard 16550 UARTS operating up to 115Kbaud are used in this product. The 16550 register set is accessed from the host processor using Programmed- I/O.

“C” source code is provided with the board to illustrate how to set up the PCI bus bridge in order to access the UART registers. Once the registers are mapped into host I/O space, standard async communication drivers may be used to access the ports.



Technical Data

Power

+5 Volt, 3.3V or 5V PCI signaling environment

Environmental

Operating

Storage/Transit

Temperature: +5° C to +50° C

-20° C to +60° C

Humidity (NC): 5% to 90% @ 40° C

Electromagnetic Compatibility (EMC)

Intended for use in systems meeting the following regulations:

U.S.: FCC Part 15, Subpart B, Class A (non-residential)

Canada: ICES-003, Class A (non-residential)

ACT/Technico, a division of Advanced Control Technology, Inc.

760 Veterans Circle Warminster, PA 18974 - Tel (215) 956-1200 - Fax (215) 956-1201

www.acttechnico.com

Form # 8005 - Rev. 12/05